



Luoyang JCB Bearing Technology Company Limited

012.40.2622.401.41.1502

SLEWING BEARING

DOUBLE ROW BALL SLEWING BEARING





Luoyang JCB Bearing Technology Company Limited

CONTENTS

01.

[MAIN SPECIFICATION](#)

02.

[TECHNICAL INFORMATION](#)

03.

[MANUFACTURE & INSPECTION](#)

04.

[PACKING AND STORAGE](#)

05.

[WARRANTY & CERTIFICATE](#)



Luoyang JCB Bearing Technology Company Limited

012.40.2622.401.41.1502

01

MAIN SPECIFICATION

- [REFERENCE DRAWING](#)
- [SPECIFICATION](#)
- [RAW MATERIAL](#)
- [LUBRICATIONA](#)
- [BOLT HOLES TYPE & BOLTS](#)
- [CORROSION PROTECTION](#)

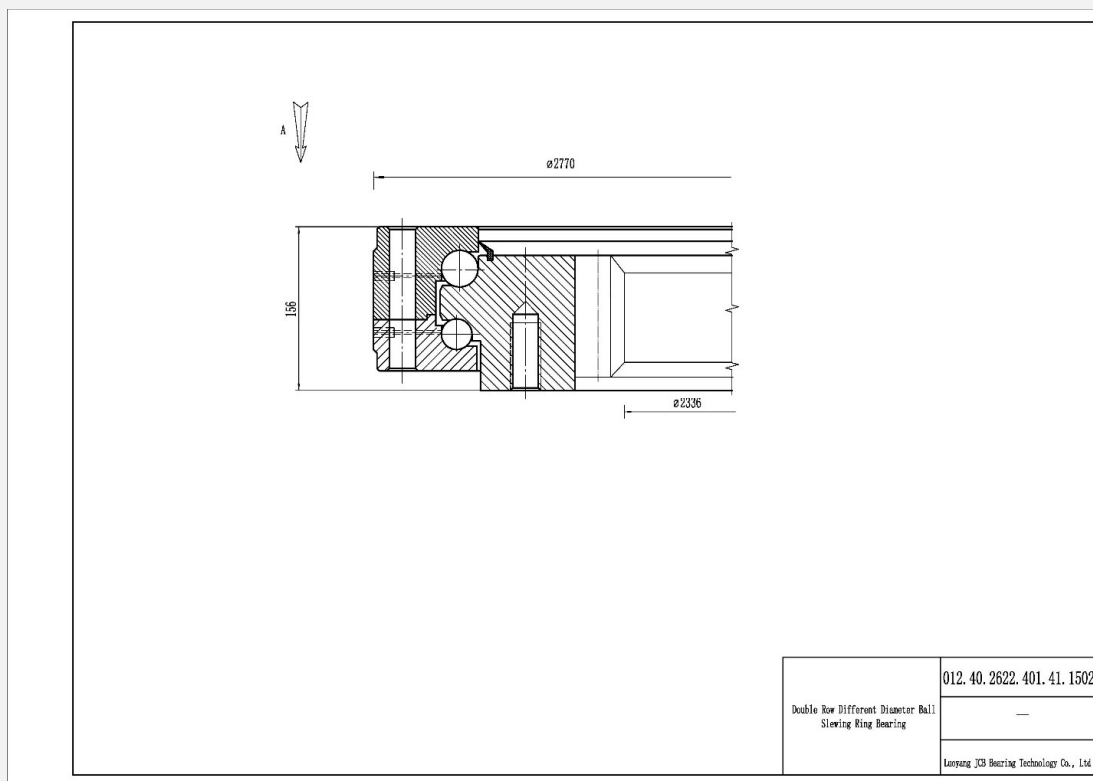


Luoyang JCB Bearing Technology Company Limited

012.40.2622.401.41.1502

REFERENCE DRAWING

This drawing is reference for user, if user request for formal drawing , please contact with us: sales@jcb-bearing.com, the official drawing will be submitted to them.



01-1

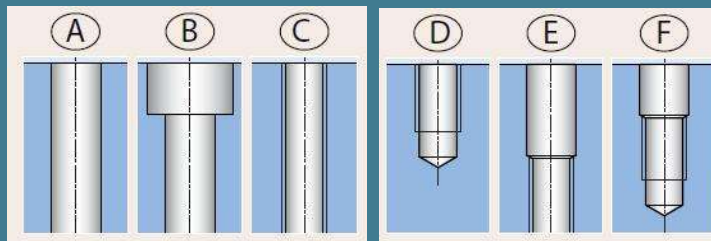
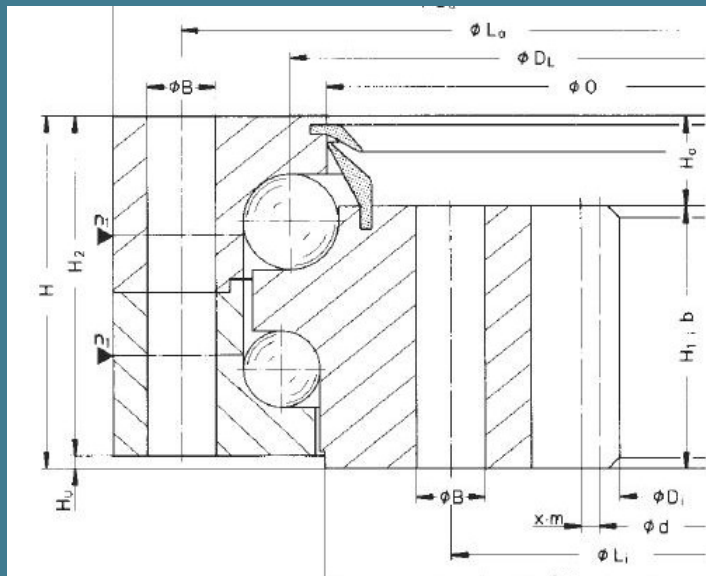
01-2

Luoyang JCB Bearing Technology Company Limited



SPECIFICATION

012.40.2622.401.41.1502



- Inner diameter (D_i) :2336
- Outer diameter (D_a) :2770
- Overall height (H) :156
- Outer ring height (H_2):150
- Inner ring height (H_1):117
- Weight: 1495 KG
- External bolt circle dia (L_a) : 2715
- Number of bolt holes per hole circle (n_a) :60
- External bolt hole type : Selected by user
- External bolt hole diameter(B) :33
- Internal bolt circle dia(L_i): 2485
- Number of bolt holes per hole circle(n_i): 60
- Internal bolt hole type : Selected by user
- Internal bolt hole diameter (B) :33
- Tooth number(z) :147
- Module of gear(m) :16
- Tooth width (b) : 117