



Luoyang JCB Bearing Technology Company Limited

130.25.500

SLEWING BEARING

THREE ROW ROLLER SLEWING BEARING





Luoyang JCB Bearing Technology Company Limited

CONTENTS

01.

[MAIN SPECIFICATION](#)

02.

[TECHNICAL INFORMATION](#)

03.

[MANUFACTURE & INSPECTION](#)

04.

[PACKING AND STORAGE](#)

05.

[WARRANTY & CERTIFICATE](#)



Luoyang JCB Bearing Technology Company Limited

130.25.500

01

MAIN SPECIFICATION

- [REFERENCE DRAWING](#)
- [SPECIFICATION](#)
- [RAW MATERIAL](#)
- [LUBRICATIONA](#)
- [BOLT HOLES TYPE & BOLTS](#)
- [CORROSION PROTECTION](#)

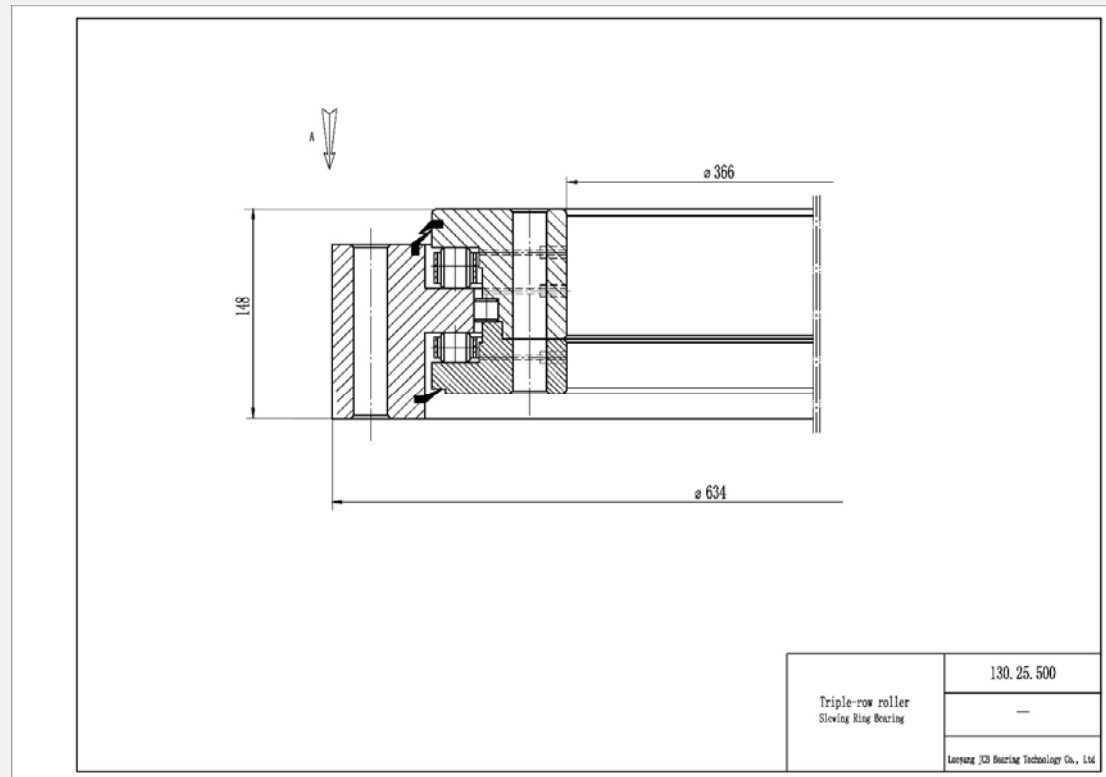


Luoyang JCB Bearing Technology Company Limited

130.25.500

REFERENCE DRAWING

This drawing is reference for user, if user request for formal drawing , please contact with us: sales@jcb-bearing.com, the official drawing will be submitted to them.



01-1

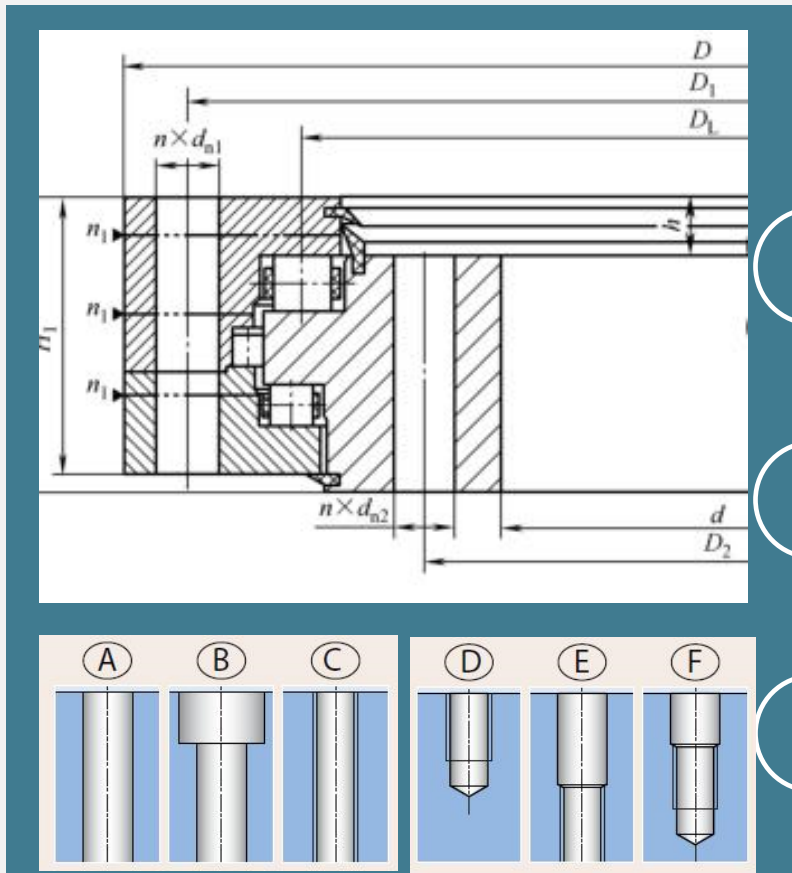
01-2

Luoyang JCB Bearing Technology Company Limited

SPECIFICATION



130.25.500



- Inner diameter (d) :366
- Outer diameter (D) :634
- Overall height (H) :148
- Outer ring height (H1):138
- Inner ring height (H2):116
- Height (h):32
- Weight: 224 KG
- External bolt circle dia (D1) : 598
- Number of bolt holes per hole circle (n) :24
- External bolt hole type : Selected by user
- External bolt hole diameter(d_{n1}) :18
- Internal bolt circle dia(D2): 402
- Number of bolt holes per hole circle(n): 24
- Internal bolt hole type : Selected by user
- Internal bolt hole diameter (d_{n2}) :18