



**Luoyang JCB Bearing Technology Company Limited**

**130.50.3150**

**SLEWING BEARING**

**THREE ROW ROLLER SLEWING BEARING**





# Luoyang JCB Bearing Technology Company Limited

## CONTENTS

01.

[MAIN SPECIFICATION](#)

02.

[TECHNICAL INFORMATION](#)

03.

[MANUFACTURE & INSPECTION](#)

04.

[PACKING AND STORAGE](#)

05.

[WARRANTY & CERTIFICATE](#)



**Luoyang JCB Bearing Technology Company Limited**

**130.50.3150**

01

## MAIN SPECIFICATION

- [REFERENCE DRAWING](#)
- [SPECIFICATION](#)
- [RAW MATERIAL](#)
- [LUBRICATIONA](#)
- [BOLT HOLES TYPE & BOLTS](#)
- [CORROSION PROTECTION](#)

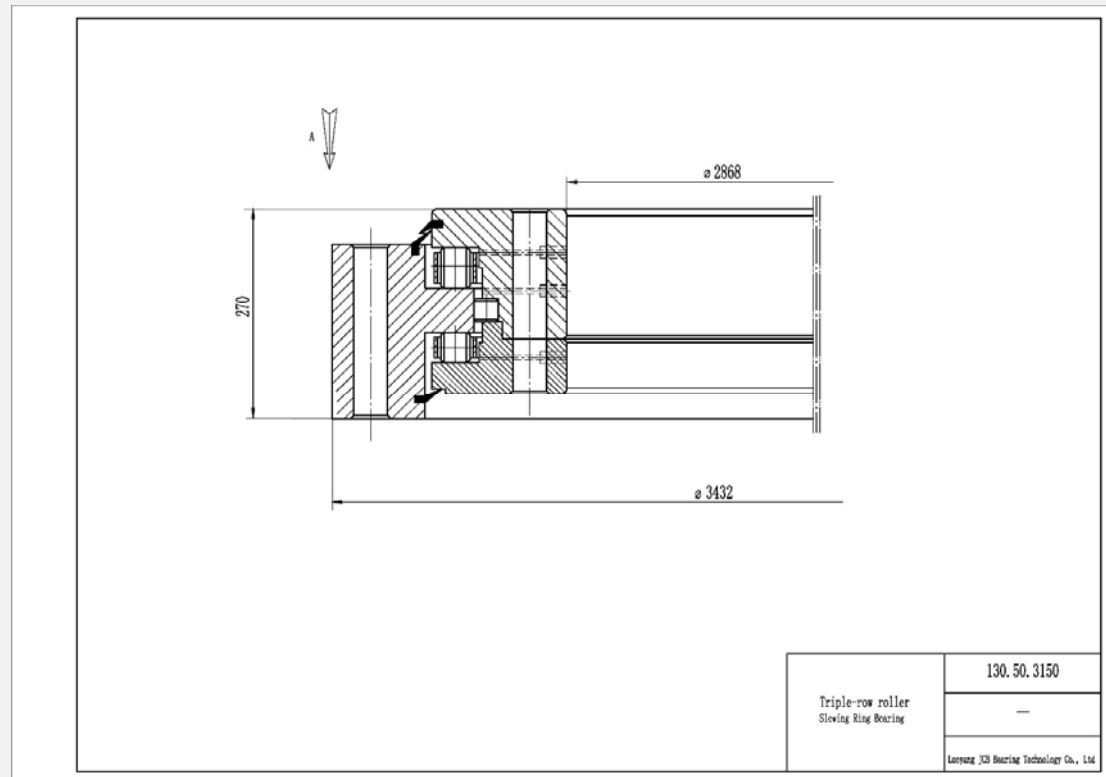


# Luoyang JCB Bearing Technology Company Limited

## 130.50.3150

### REFERENCE DRAWING

This drawing is reference for user, if user request for formal drawing , please contact with us: [sales@jcb-bearing.com](mailto:sales@jcb-bearing.com), the official drawing will be submitted to them.



01-1

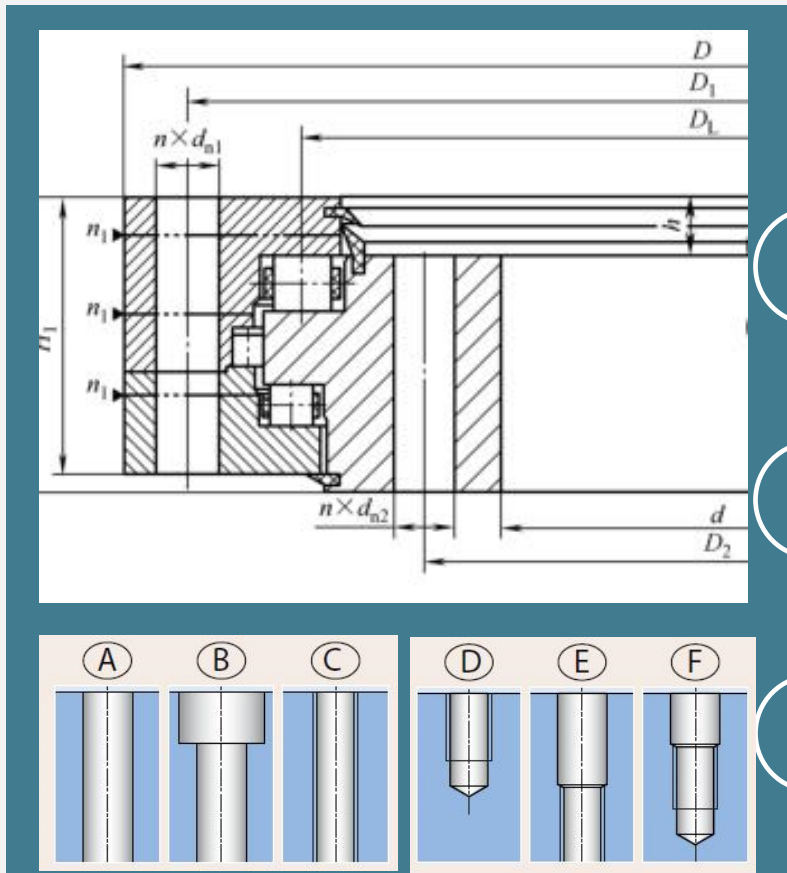
01-2

# Luoyang JCB Bearing Technology Company Limited

## SPECIFICATION



### 130.50.3150



- Inner diameter (d) :2868
- Outer diameter (D) :3432
- Overall height (H) :270
- Outer ring height (H1):258
- Inner ring height (H2):205
- Height (h):65
- Weight: 5000 KG
- External bolt circle dia (D1) : 3342
- Number of bolt holes per hole circle (n) :72
- External bolt hole type : Selected by user
- External bolt hole diameter(dn1) :45
- Internal bolt circle dia(D2): 2958
- Number of bolt holes per hole circle(n): 72
- Internal bolt hole type : Selected by user
- Internal bolt hole diameter (dn2) :45