



**Luoyang JCB Bearing Technology Company Limited**

**16349001**

# **SLEWING BEARING**

**THREE ROW ROLLER SLEWING BEARING**





# Luoyang JCB Bearing Technology Company Limited

## CONTENTS

01.

[MAIN SPECIFICATION](#)

02.

[TECHNICAL INFORMATION](#)

03.

[MANUFACTURE & INSPECTION](#)

04.

[PACKING AND STORAGE](#)

05.

[WARRANTY & CERTIFICATE](#)



**Luoyang JCB Bearing Technology Company Limited**

**16349001**

**01**

## MAIN SPECIFICATION

- [REFERENCE DRAWING](#)
- [SPECIFICATION](#)
- [RAW MATERIAL](#)
- [LUBRICATIONA](#)
- [BOLT HOLES TYPE & BOLTS](#)
- [CORROSION PROTECTION](#)

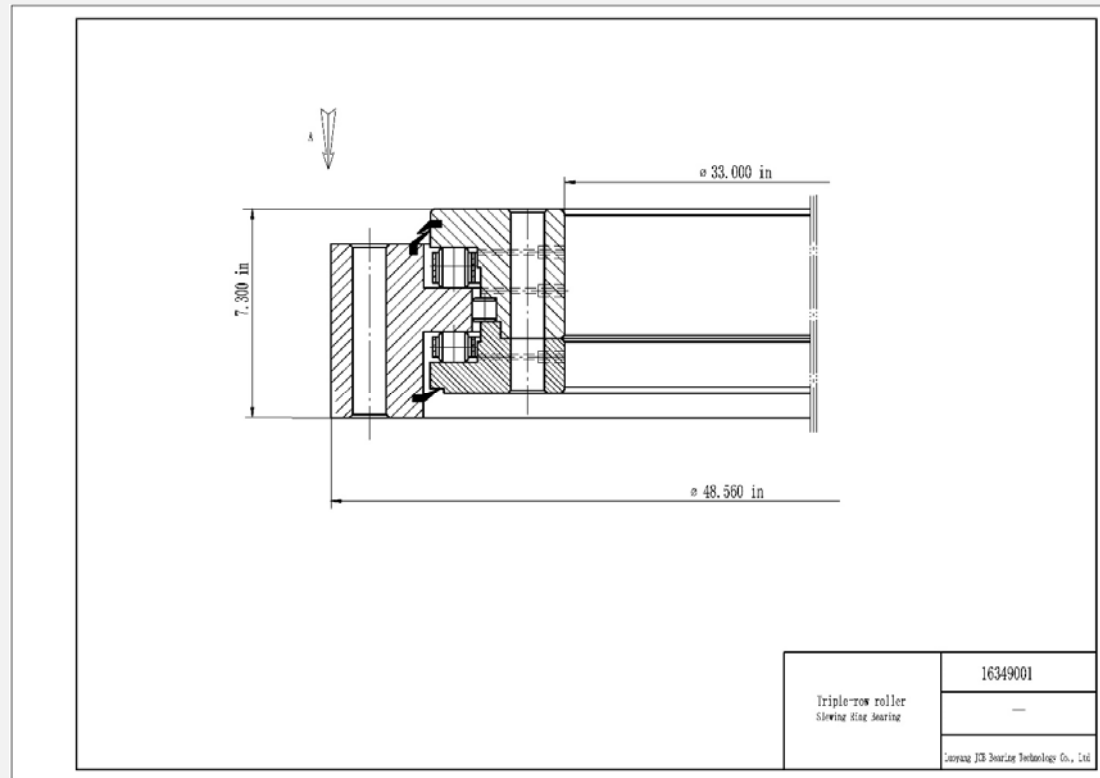


# Luoyang JCB Bearing Technology Company Limited

## 16349001

### REFERENCE DRAWING

This drawing is reference for user, if user request for formal drawing , please contact with us: [sales@jcb-bearing.com](mailto:sales@jcb-bearing.com), the official drawing will be submitted to them.



01-1

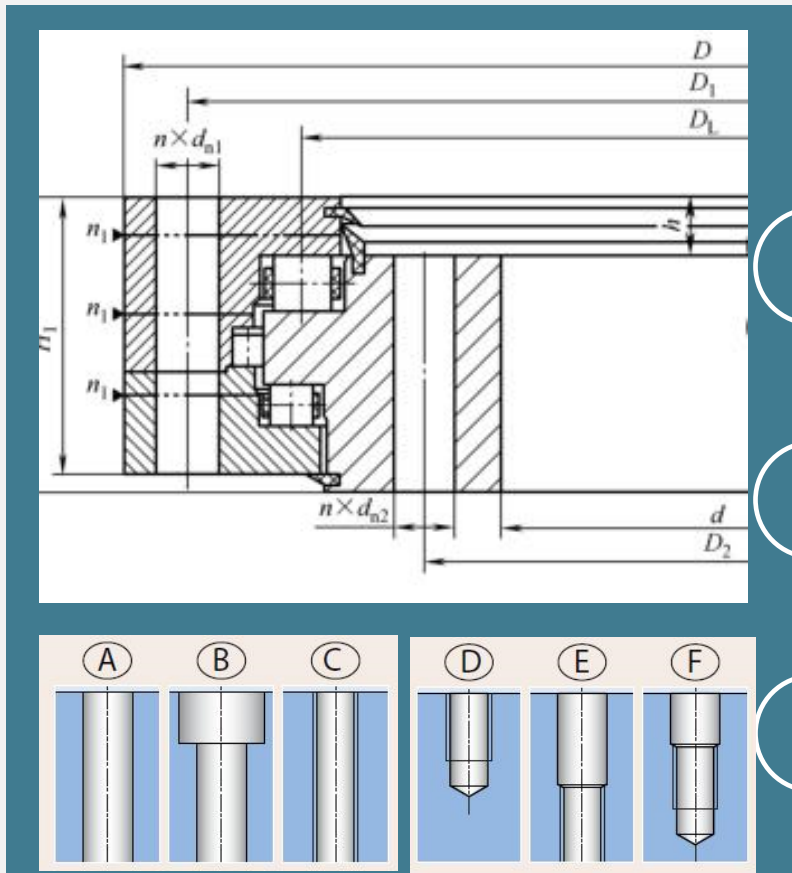
01-2

# Luoyang JCB Bearing Technology Company Limited

## SPECIFICATION



16349001



Inner diameter (di): 33.000 in  
Outer diameter (Da): 48.560 in  
Overall height (H): 7.300 in  
Outer ring height (Ho): 6.880 in  
Inner ring height (Hi): 6.380 in  
Weight: 1700 lbs  
External bolt circle dia (Lo): 46.000 in  
Number of bolt holes per hole circle (no):32  
External bolt hole type : Selected by user  
External bolt hole diameter (Bo): 1.313 in  
Internal bolt circle dia (Li): 36.000 in  
Number of bolt holes per hole circle (ni):32  
Internal bolt hole type : Selected by user  
Internal bolt hole diameter (Bi): 1 1/4-7 in