



**Luoyang JCB Bearing Technology Company Limited**

**16356001**

# **SLEWING BEARING**

**THREE ROW ROLLER SLEWING BEARING**





# Luoyang JCB Bearing Technology Company Limited

## CONTENTS

01.

[MAIN SPECIFICATION](#)

02.

[TECHNICAL INFORMATION](#)

03.

[MANUFACTURE & INSPECTION](#)

04.

[PACKING AND STORAGE](#)

05.

[WARRANTY & CERTIFICATE](#)



**Luoyang JCB Bearing Technology Company Limited**

**16356001**



## MAIN SPECIFICATION

- [REFERENCE DRAWING](#)
- [SPECIFICATION](#)
- [RAW MATERIAL](#)
- [LUBRICATIONA](#)
- [BOLT HOLES TYPE & BOLTS](#)
- [CORROSION PROTECTION](#)

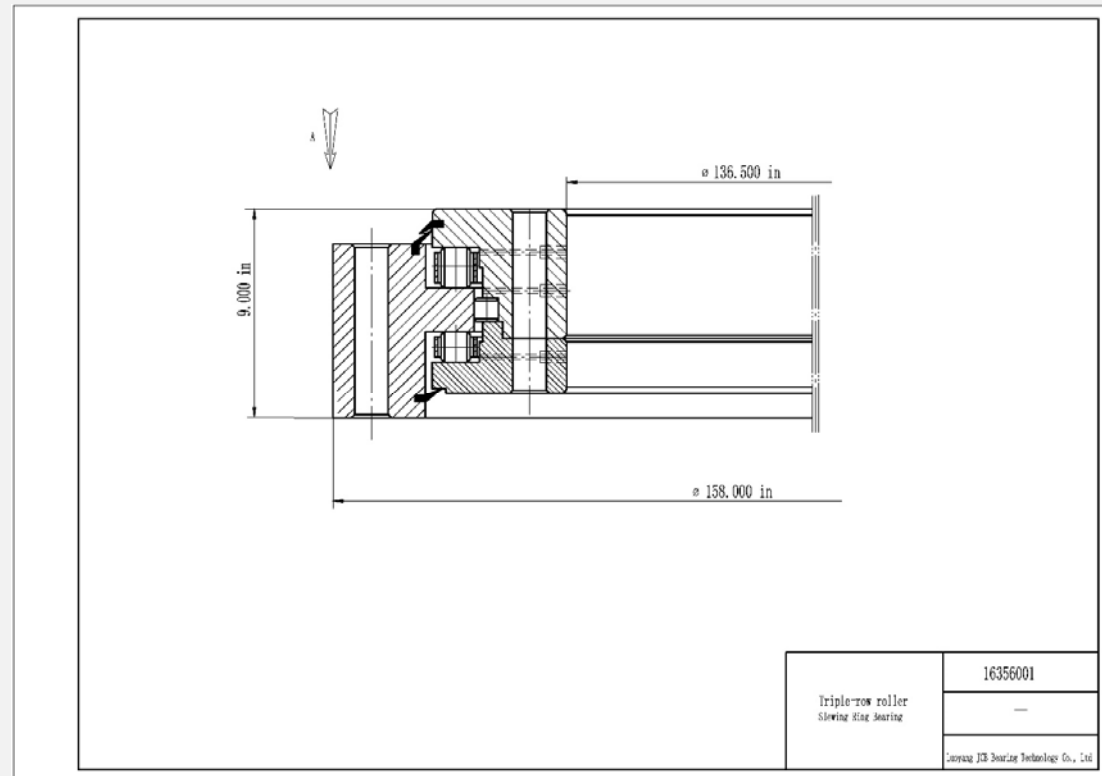


# Luoyang JCB Bearing Technology Company Limited

## 16356001

### REFERENCE DRAWING

This drawing is reference for user, if user request for formal drawing , please contact with us: [sales@jcb-bearing.com](mailto:sales@jcb-bearing.com), the official drawing will be submitted to them.



01-1

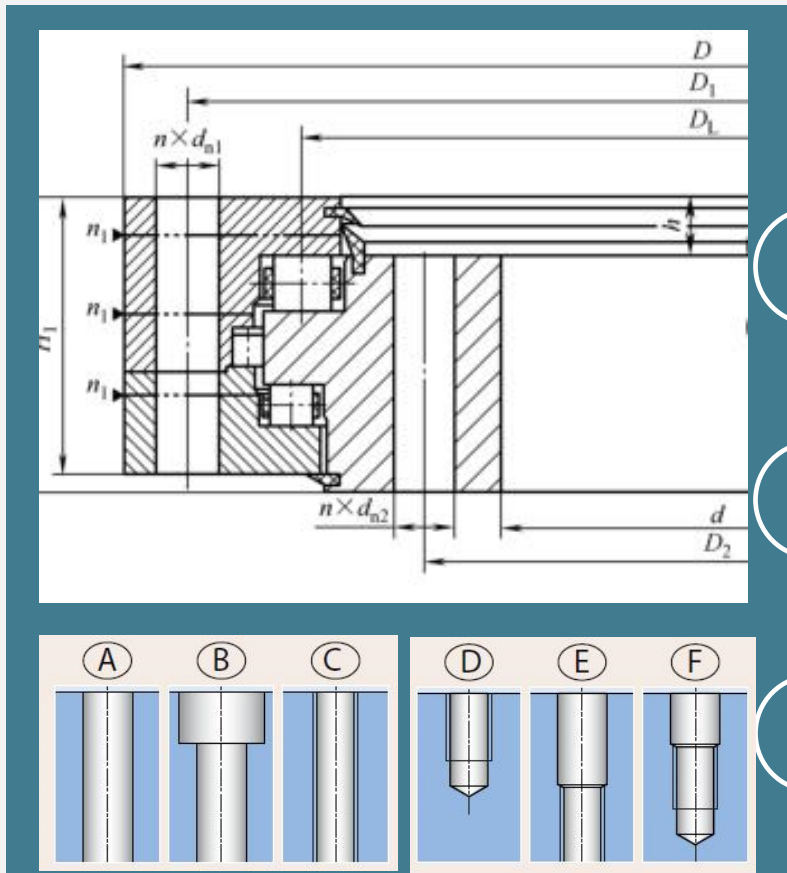
01-2

# Luoyang JCB Bearing Technology Company Limited

## SPECIFICATION



16356001



Inner diameter ( $d_i$ ): 136.500 in  
Outer diameter ( $D_a$ ): 158.000 in  
Overall height ( $H$ ): 9.000 in  
Outer ring height ( $H_o$ ): 8.500 in  
Inner ring height ( $H_i$ ): 7.250 in  
Weight: 10100 lbs  
External bolt circle dia ( $L_o$ ): 154.000 in  
Number of bolt holes per hole circle ( $n_o$ ): 100  
External bolt hole type : Selected by user  
External bolt hole diameter ( $B_o$ ): 1.563 in  
Internal bolt circle dia ( $L_i$ ): 140.500 in  
Number of bolt holes per hole circle ( $n_i$ ): 100  
Internal bolt hole type : Selected by user  
Internal bolt hole diameter ( $B_i$ ): 1.563 in