



**Luoyang JCB Bearing Technology Company Limited**

**3R6-49P9**

**SLEWING BEARING**

**THREE ROW ROLLER SLEWING BEARING**





# Luoyang JCB Bearing Technology Company Limited

## CONTENTS

01.

[MAIN SPECIFICATION](#)

02.

[TECHNICAL INFORMATION](#)

03.

[MANUFACTURE & INSPECTION](#)

04.

[PACKING AND STORAGE](#)

05.

[WARRANTY & CERTIFICATE](#)



**Luoyang JCB Bearing Technology Company Limited**

**3R6-49P9**

01

## MAIN SPECIFICATION

- [REFERENCE DRAWING](#)
- [SPECIFICATION](#)
- [RAW MATERIAL](#)
- [LUBRICATIONA](#)
- [BOLT HOLES TYPE & BOLTS](#)
- [CORROSION PROTECTION](#)

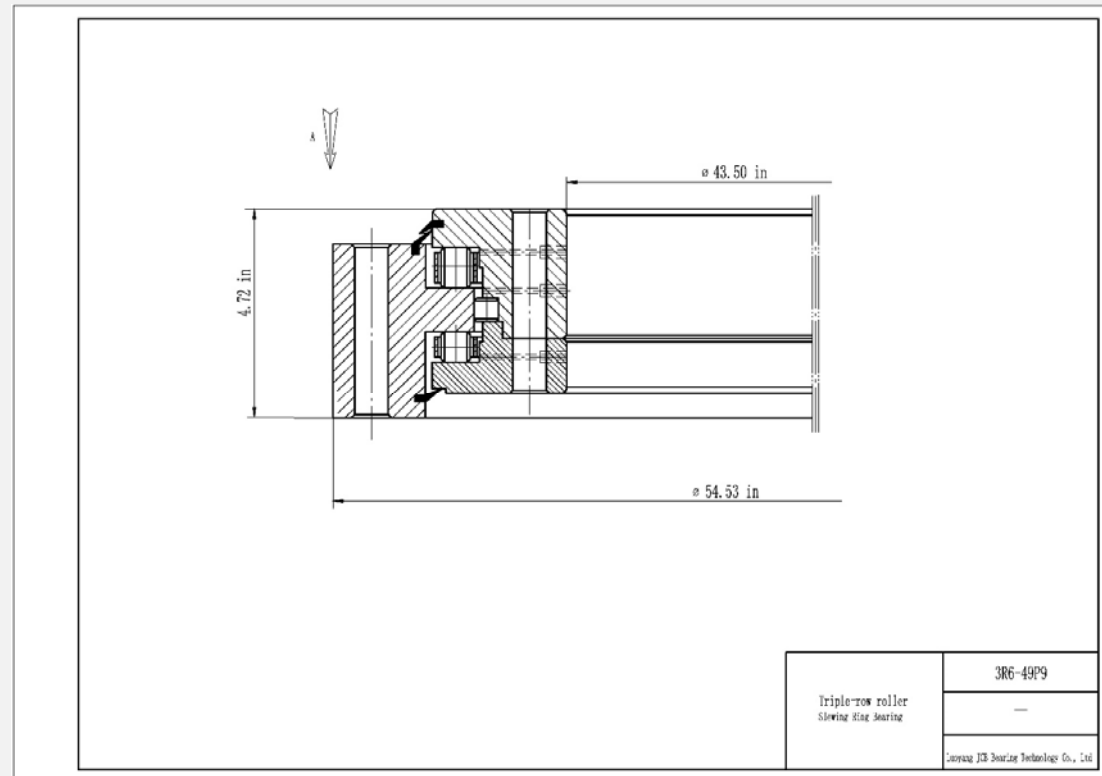


# Luoyang JCB Bearing Technology Company Limited

## 3R6-49P9

### REFERENCE DRAWING

This drawing is reference for user, if user request for formal drawing , please contact with us: [sales@jcb-bearing.com](mailto:sales@jcb-bearing.com), the official drawing will be submitted to them.



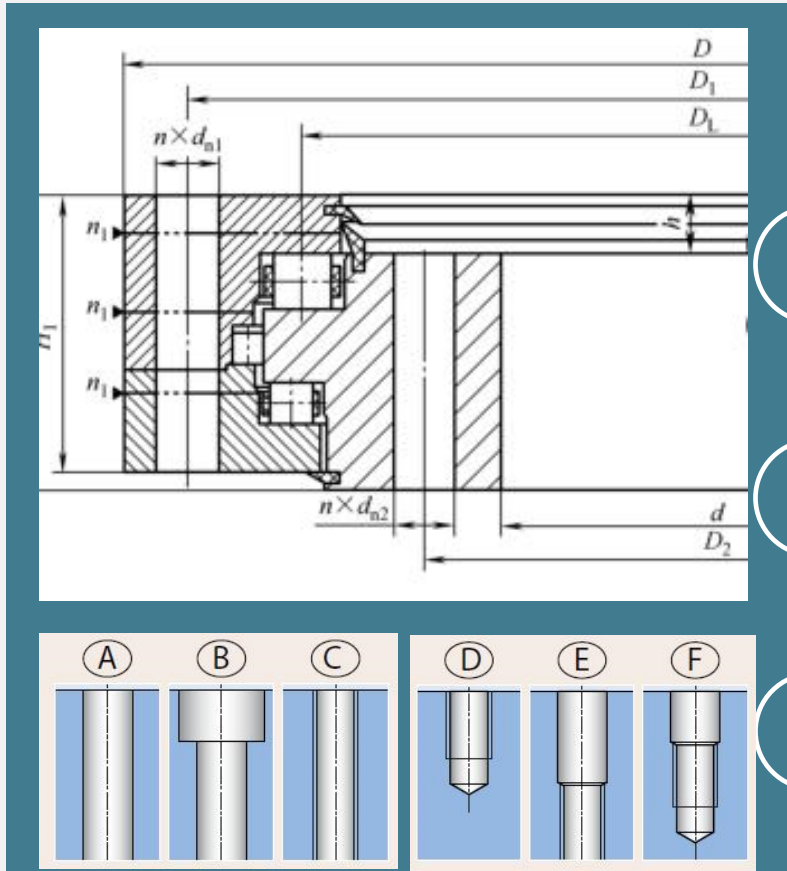
01-2

# Luoyang JCB Bearing Technology Company Limited

## SPECIFICATION



### 3R6-49P9



- Inner diameter (di): 43.50 in
- Outer diameter (Da): 54.53 in
- Overall height (H): 4.72 in
- Outer ring height (Ho): 4.41 in
- Inner ring height (Hi): 3.70 in
- Weight: 805 lbs
- External bolt circle dia (Lo): 52.953 in
- Number of bolt holes per hole circle (no):36
- External bolt hole type : Selected by user
- External bolt hole diameter (Bo): 1.02 in
- Internal bolt circle dia (Li): 45.079 in
- Number of bolt holes per hole circle (ni): 36
- Internal bolt hole type : Selected by user
- Internal bolt hole diameter (Bi): 1.02 in