



Luoyang JCB Bearing Technology Company Limited

3R6-79P9

SLEWING BEARING

THREE ROW ROLLER SLEWING BEARING





Luoyang JCB Bearing Technology Company Limited

CONTENTS

01.

[MAIN SPECIFICATION](#)

02.

[TECHNICAL INFORMATION](#)

03.

[MANUFACTURE & INSPECTION](#)

04.

[PACKING AND STORAGE](#)

05.

[WARRANTY & CERTIFICATE](#)



Luoyang JCB Bearing Technology Company Limited

3R6-79P9

01

MAIN SPECIFICATION

- [REFERENCE DRAWING](#)
- [SPECIFICATION](#)
- [RAW MATERIAL](#)
- [LUBRICATIONA](#)
- [BOLT HOLES TYPE & BOLTS](#)
- [CORROSION PROTECTION](#)

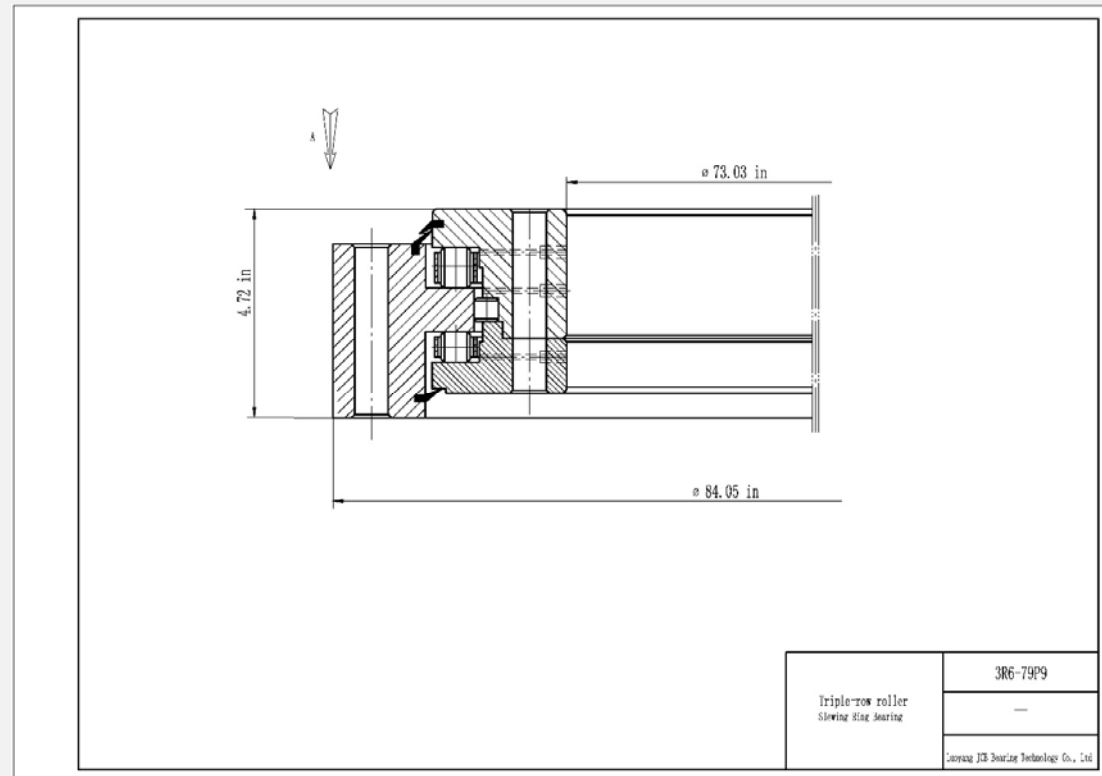


Luoyang JCB Bearing Technology Company Limited

3R6-79P9

REFERENCE DRAWING

This drawing is reference for user, if user request for formal drawing , please contact with us: sales@jcb-bearing.com, the official drawing will be submitted to them.



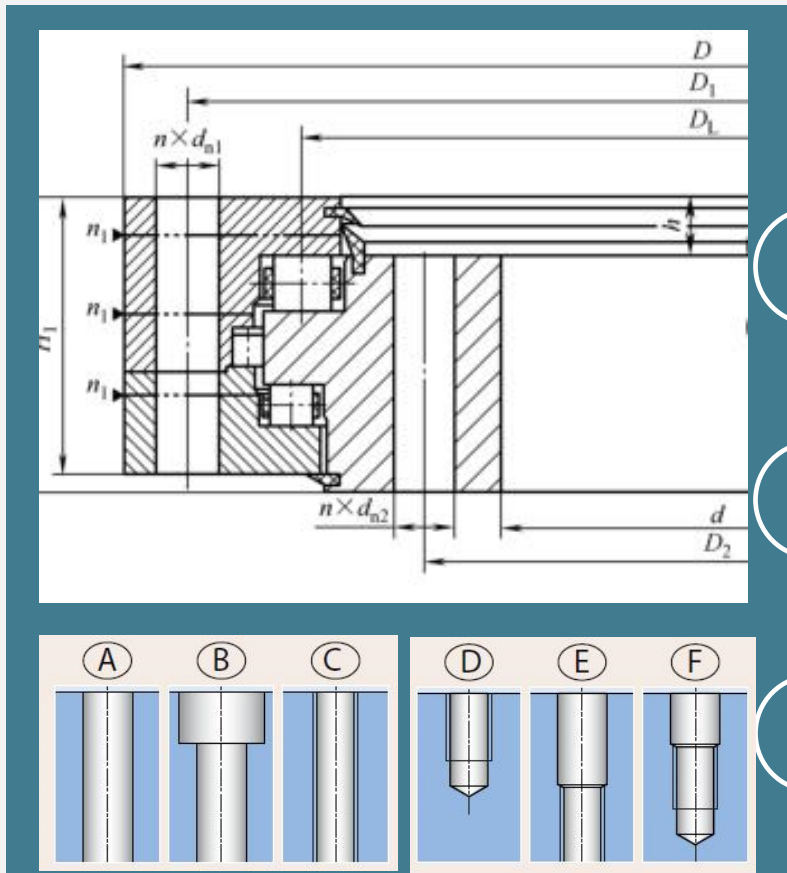
01-2

Luoyang JCB Bearing Technology Company Limited

SPECIFICATION



3R6-79P9



- Inner diameter (d_i): 73.03 in
- Outer diameter (D_a): 84.05 in
- Overall height (H): 4.72 in
- Outer ring height (H_o): 4.41 in
- Inner ring height (H_i): 3.70 in
- Weight: 1290 lbs
- External bolt circle dia (L_o): 82.480 in
- Number of bolt holes per hole circle (n_o): 54
- External bolt hole type : Selected by user
- External bolt hole diameter (B_o): 1.02 in
- Internal bolt circle dia (L_i): 74.606 in
- Number of bolt holes per hole circle (n_i): 54
- Internal bolt hole type : Selected by user
- Internal bolt hole diameter (B_i): 1.02 in