



**Luoyang JCB Bearing Technology Company Limited**

**90-3R36-1543-1096**

**SLEWING BEARING**

**THREE ROW ROLLER SLEWING BEARING**





# Luoyang JCB Bearing Technology Company Limited

## CONTENTS

01.

[MAIN SPECIFICATION](#)

02.

[TECHNICAL INFORMATION](#)

03.

[MANUFACTURE & INSPECTION](#)

04.

[PACKING AND STORAGE](#)

05.

[WARRANTY & CERTIFICATE](#)



**Luoyang JCB Bearing Technology Company Limited**

**90-3R36-1543-1096**

01

## MAIN SPECIFICATION

- [REFERENCE DRAWING](#)
- [SPECIFICATION](#)
- [RAW MATERIAL](#)
- [LUBRICATIONA](#)
- [BOLT HOLES TYPE & BOLTS](#)
- [CORROSION PROTECTION](#)

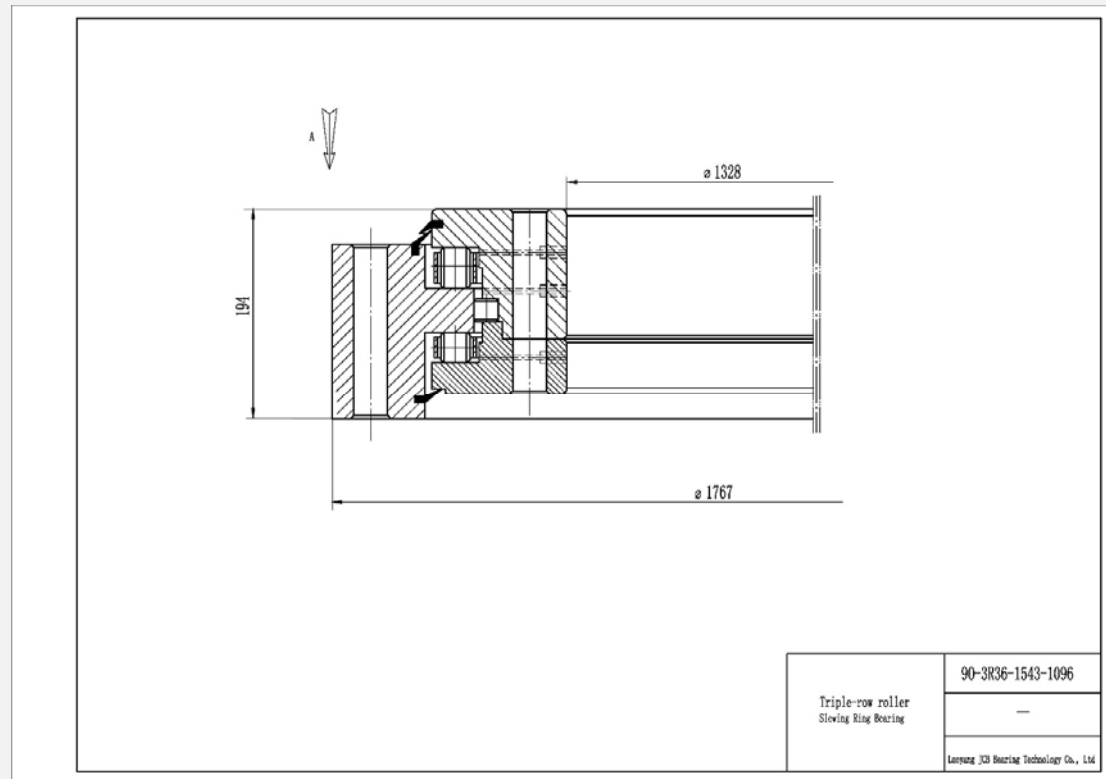


Luoyang JCB Bearing Technology Company Limited

# 90-3R36-1543-1096

## REFERENCE DRAWING

This drawing is reference for user, if user request for formal drawing , please contact with us: [sales@jcb-bearing.com](mailto:sales@jcb-bearing.com), the official drawing will be submitted to them.



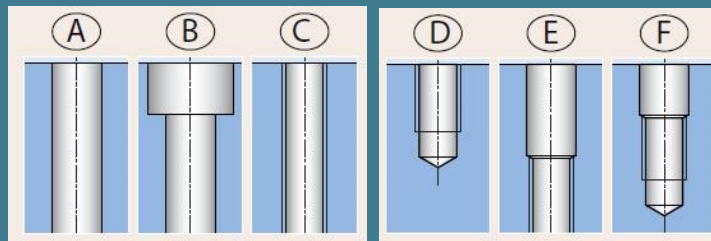
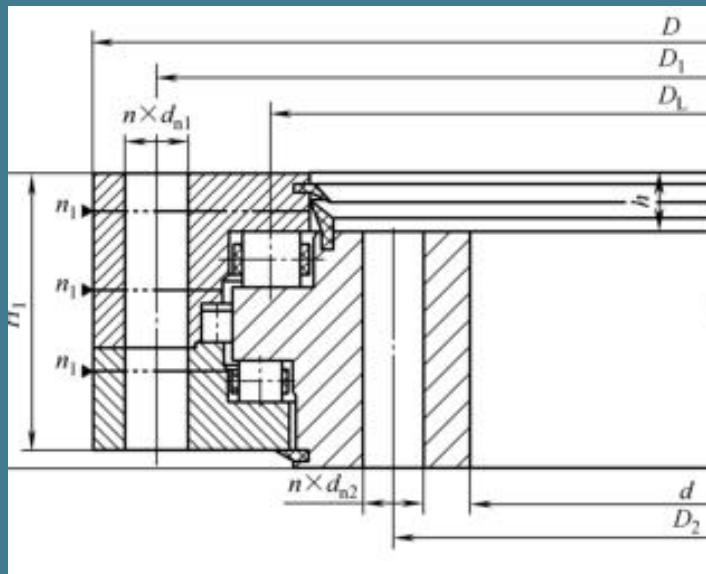
01-2

Luoyang JCB Bearing Technology Company Limited



## SPECIFICATION

90-3R36-1543-1096



- Inner diameter (d) :1328
- Outer diameter (D) :1767
- Overall height (H) :194
- Outer ring height (H1):
- Inner ring height (H2):
- Height (h):
- Weight: 1265 KG
- External bolt circle dia (D1) :
- Number of bolt holes per hole circle (n) :
- External bolt hole type : Selected by user
- External bolt hole diameter(dn1) :
- Internal bolt circle dia(D2):
- Number of bolt holes per hole circle(n):
- Internal bolt hole type : Selected by user
- Internal bolt hole diameter (dn2) :